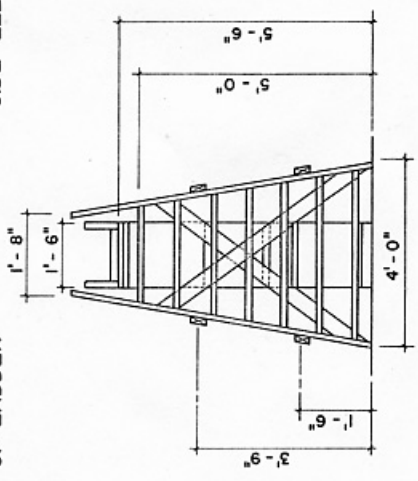
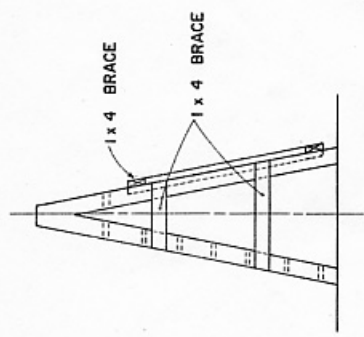


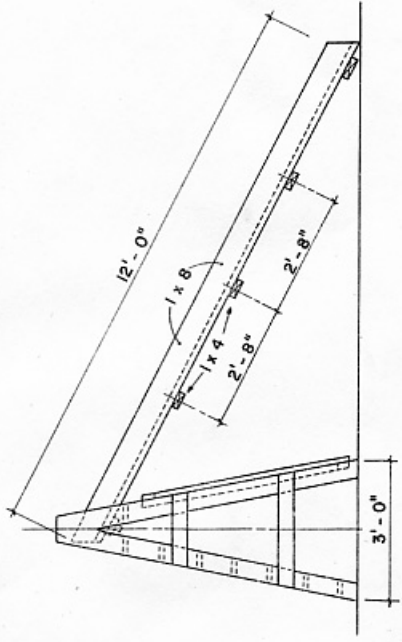
REAR ELEVATION OF LADDER



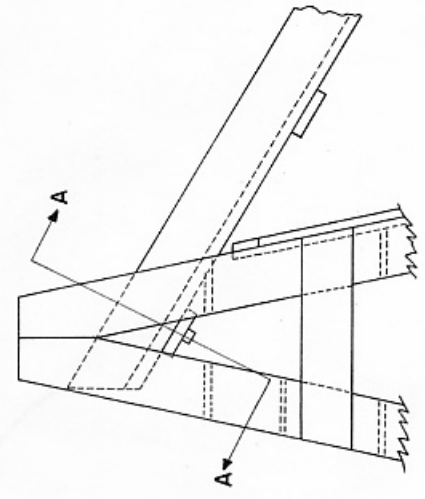
REAR ELEVATION



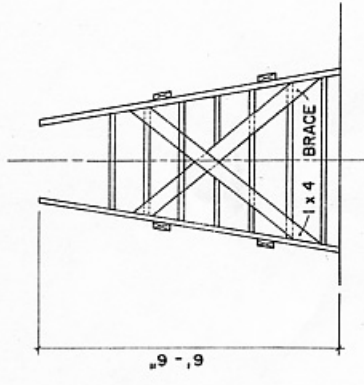
SIDE ELEVATION OF LADDER



SIDE ELEVATION



SECTION A - A

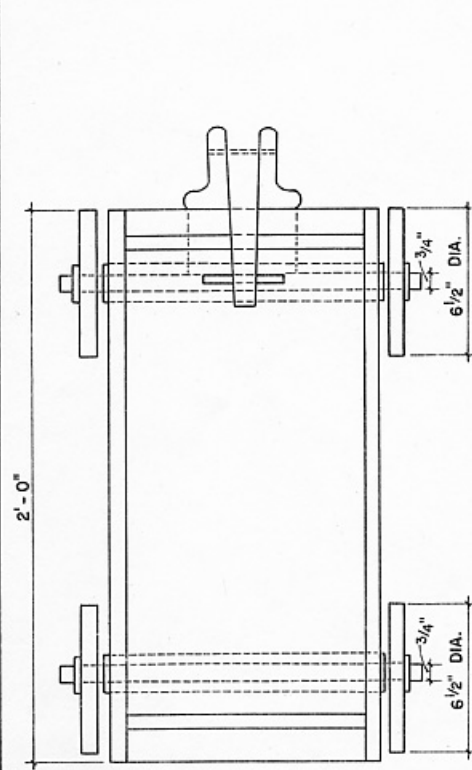


BRACING DETAIL

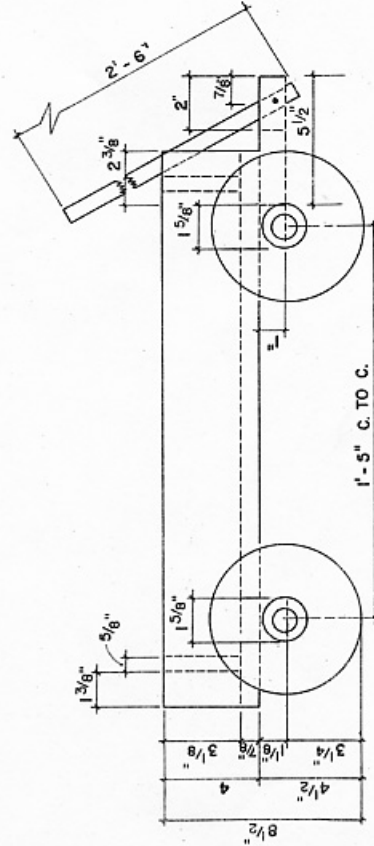
SLIDING BOARD



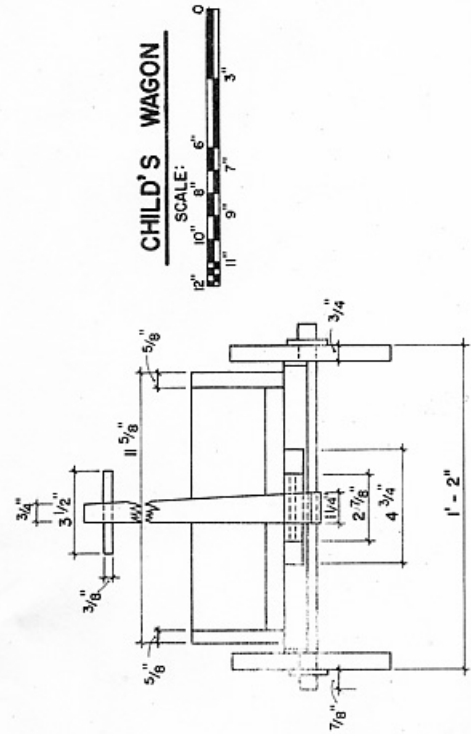
SCALE: UNLESS OTHERWISE NOTE
 COOPERATIVE EXTENSION WORK IN
 AGRICULTURE AND HOME ECONOMICS
 UNIVERSITY OF TENNESSEE
 AGRICULTURAL ENGINEERING DEPARTMENT
 AND
 UNITED STATES DEPARTMENT OF AGRICULTURE COOPERATING



PLAN

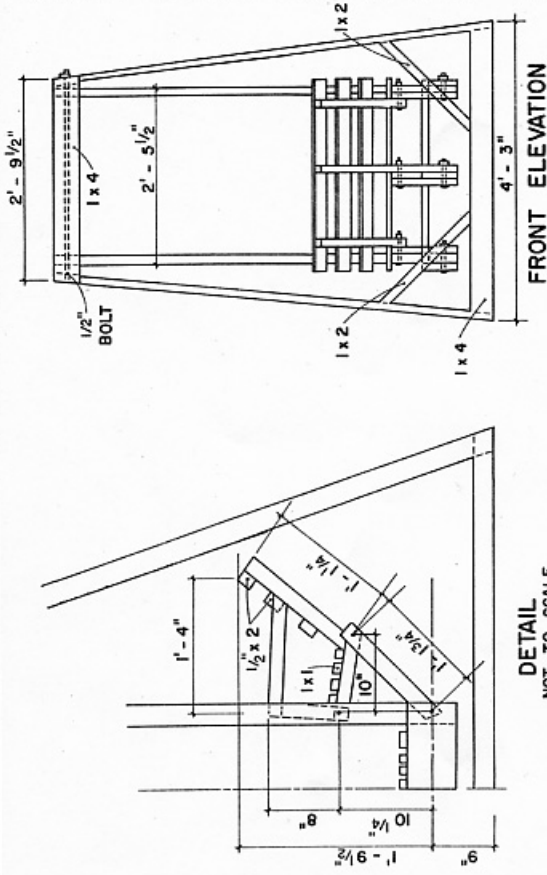
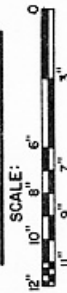


SIDE ELEVATION

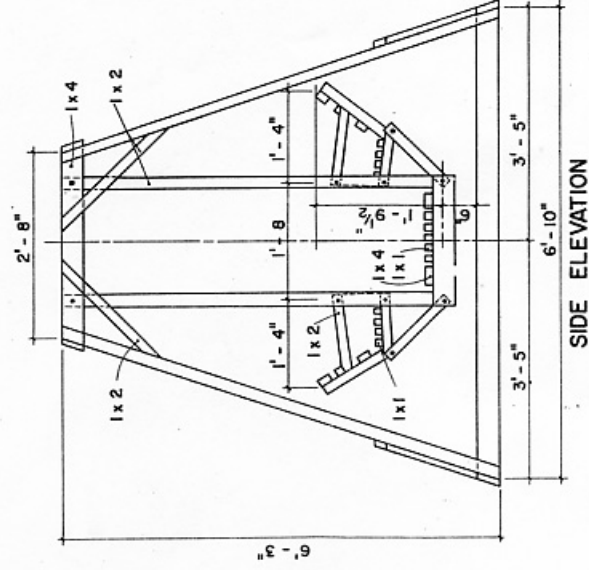


FRONT ELEVATION

CHILD'S WAGON



DETAIL
NOT TO SCALE



SIDE ELEVATION

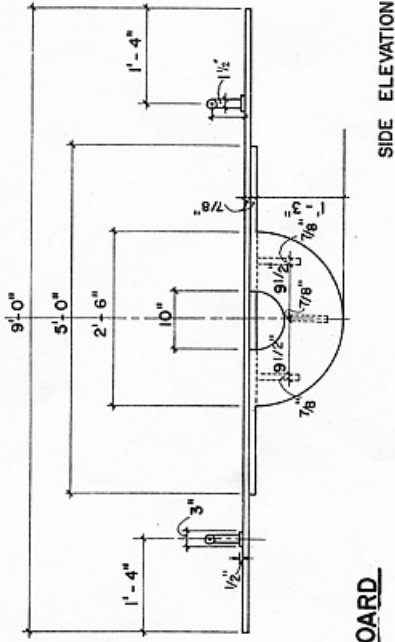
CHILD'S SWING



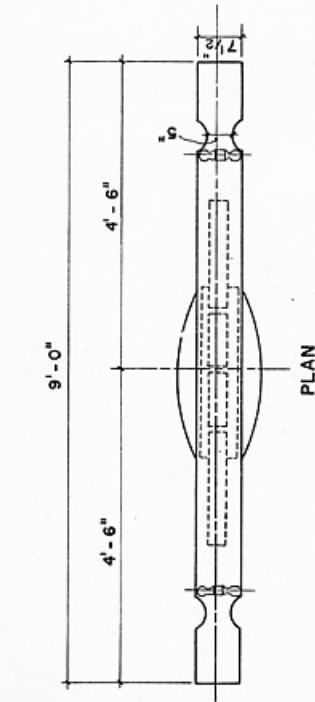
COOPERATIVE EXTENSION WORK IN
 AGRICULTURE AND HOME ECONOMICS
 UNIVERSITY OF TENNESSEE
 AGRICULTURAL ENGINEERING DEPARTMENT
 UNITED STATES DEPARTMENT OF AGRICULTURE COOPERATING

PLAYGROUND EQUIPMENT

USDA '79 EX. 6317 SHEET 2 OF 4



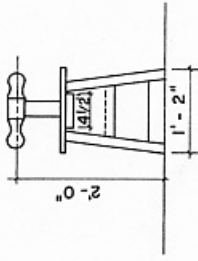
SIDE ELEVATION



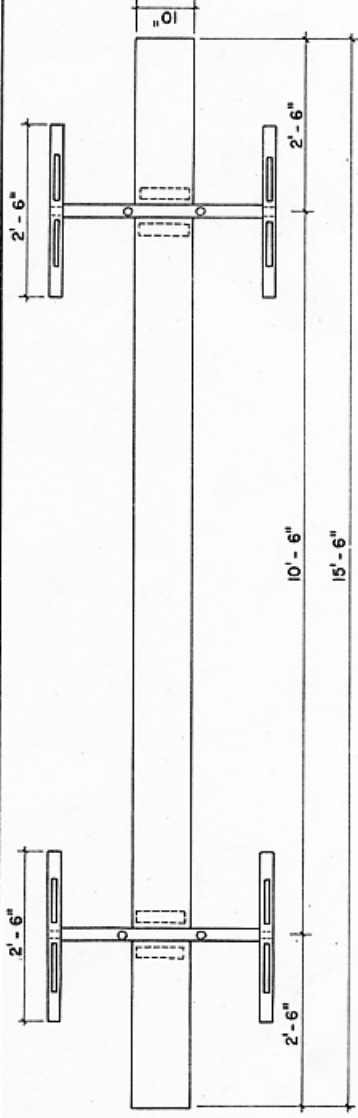
PLAN

TEETER BOARD

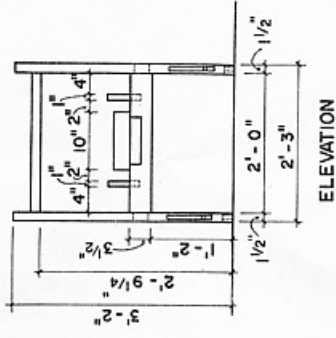
SCALE



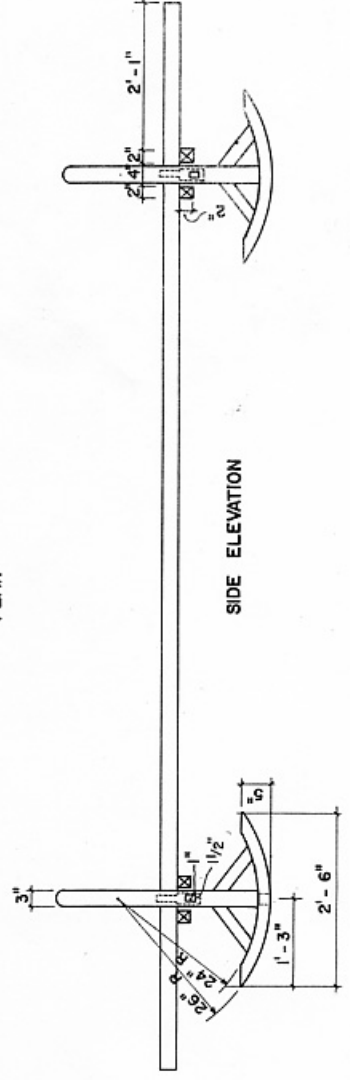
2'-0"



PLAN



ELEVATION



SIDE ELEVATION

ROCKING BOARD



SCALE

COOPERATIVE EXTENSION WORK IN
 AGRICULTURE AND HOME ECONOMICS
 UNIVERSITY OF TENNESSEE
 AGRICULTURAL ENGINEERING DEPARTMENT
 AND
 UNITED STATES DEPARTMENT OF AGRICULTURE COOPERATING

PLAYGROUND EQUIPMENT

USDA '79 EX. 6317 SHEET 3 OF 4

