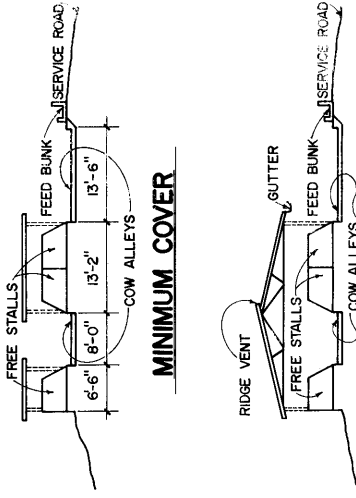


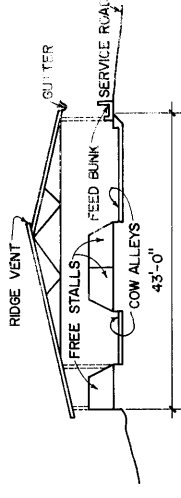
LAYOUT
SCALE: $\frac{3}{8}'' = 1'-0''$ 12'-0" 2'-0" 2'-0"

TO MANURE DISCHARGE



MINIMUM COVER

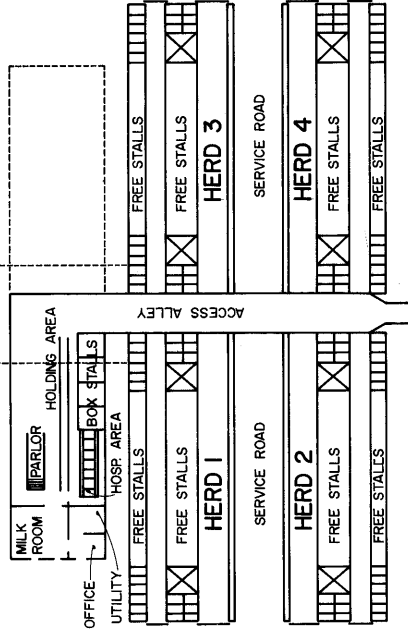
PARTIAL COVER



TOTAL COVER

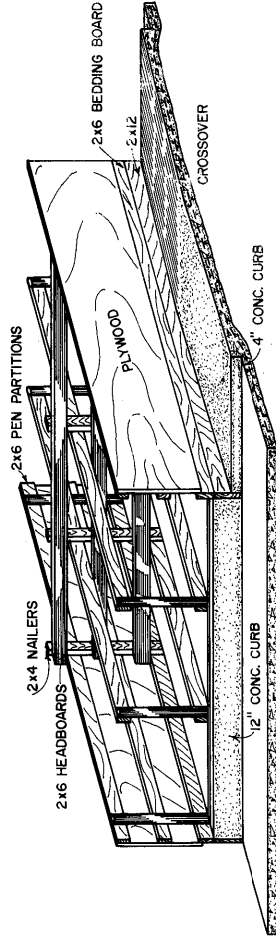
CROSS-SECTIONS OF ROOFING ALTERNATIVES

NO SCALE



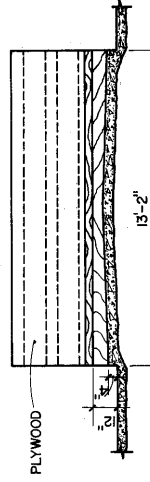
ALTERNATE LOCATIONS FOR MILKING, HOLDING, & HOSPITAL AREAS

NO SCALE



FREE-STALL PICTORIAL

NO SCALE



CROSSOVER SECTION

SCALE: $\frac{1}{4}'' = 1'-0''$ 12'-0" 1' 2' 3' 4'

