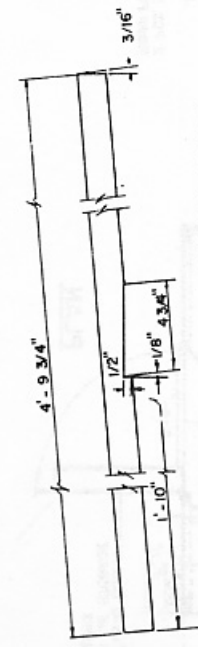


PLYWOOD CUTTING DETAILS

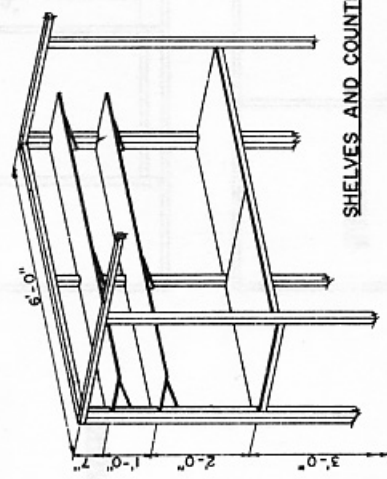
APA EXTERIOR PLYWOOD RECOMMENDED FOR CONSTRUCTION.



RAFTER DETAIL
(NOT TO SCALE)



RAMP



SHELVES AND COUNTER

ISOMETRIC PROJECTIONS

