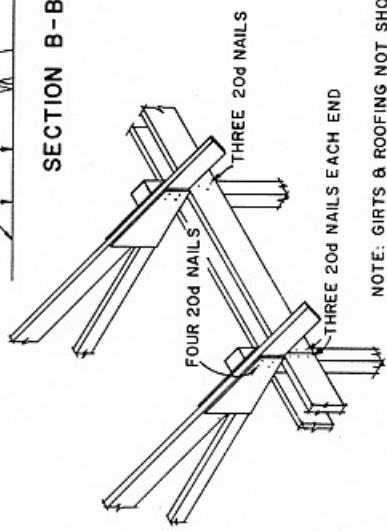


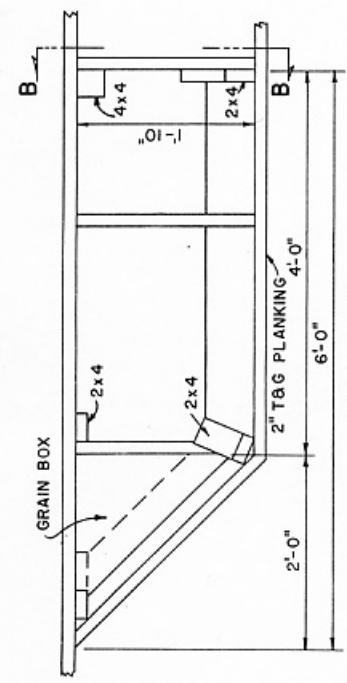
SECTION B-B

TOP OF FLOOR

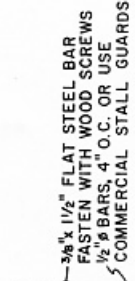


ISOMETRIC VIEW

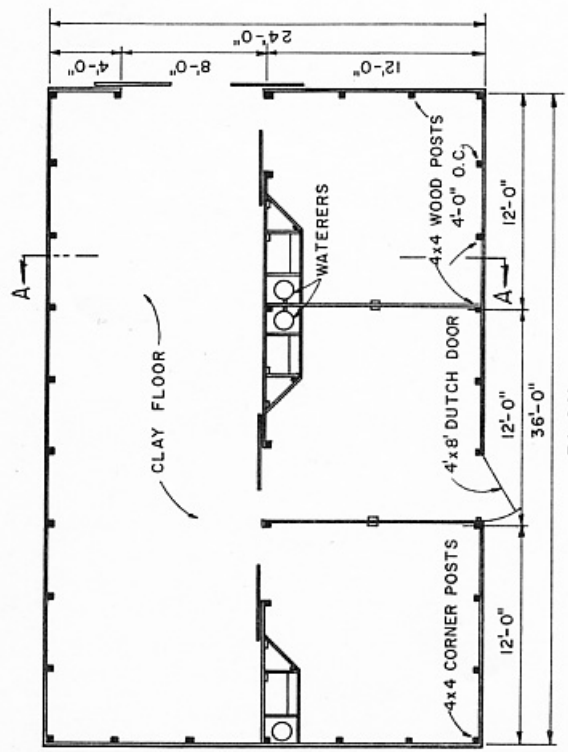
NOTE: GIRTS & ROOFING NOT SHOWN



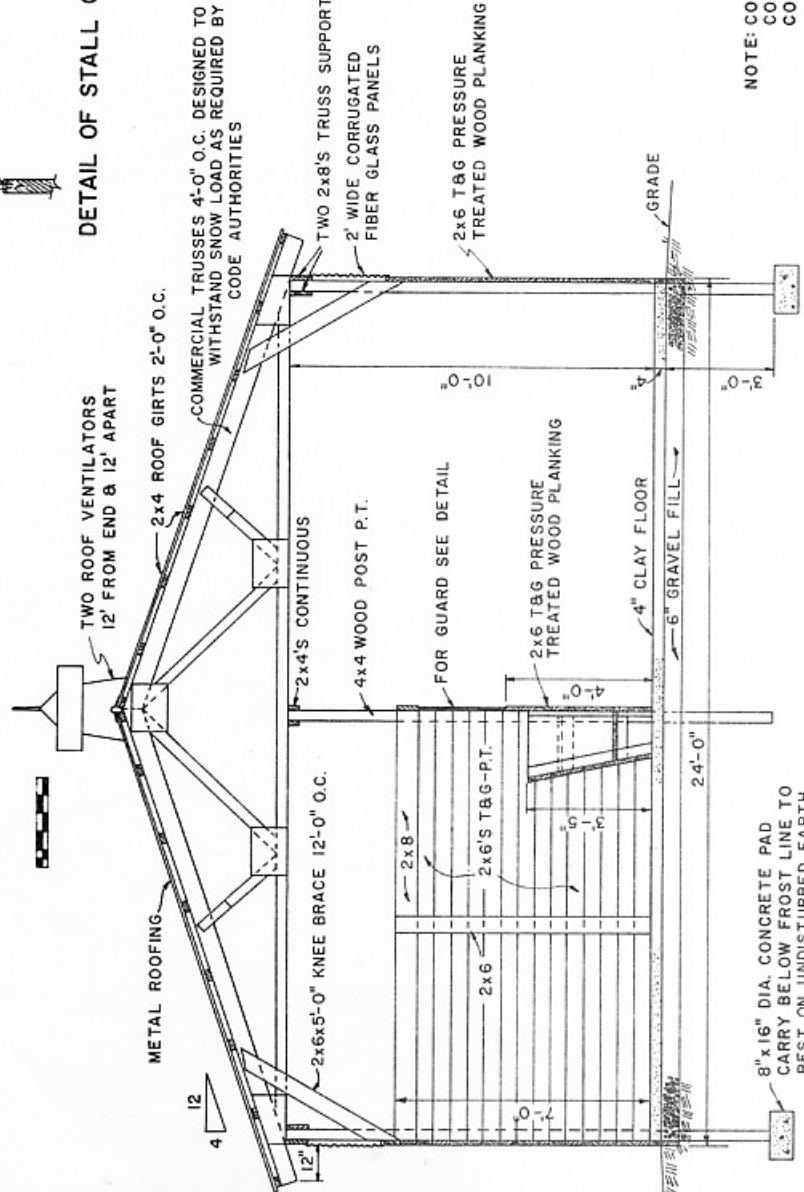
FEED BOX



DETAIL OF STALL GUARD



PLAN



SECTION - A-A

8" x 16" DIA. CONCRETE PAD
CARRY BELOW FROST LINE TO
REST ON UNDISTURBED EARTH

NOTE: CONSULT LOCAL HEALTH AND BUILDING
CODE AUTHORITIES BEFORE STARTING
CONSTRUCTION.

COOPERATIVE EXTENSION WORK IN
AGRICULTURE AND HOME ECONOMICS
STATE OF TENNESSEE
UNIVERSITY OF TENNESSEE
AGRICULTURAL ENGINEERING DEPARTMENT
UNITED STATES DEPARTMENT OF AGRICULTURE COOPERATING

HORSE BARN
POST CONSTRUCTION
MICH. '77 6275 SHEET 1 OF 1

BASED ON: MICH. STATE UNIV.
PLAN NO. 772-C1-14