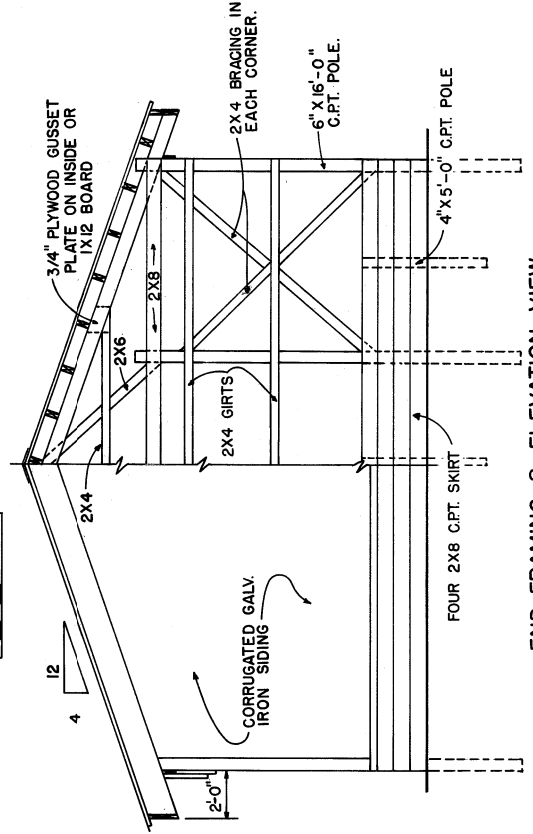
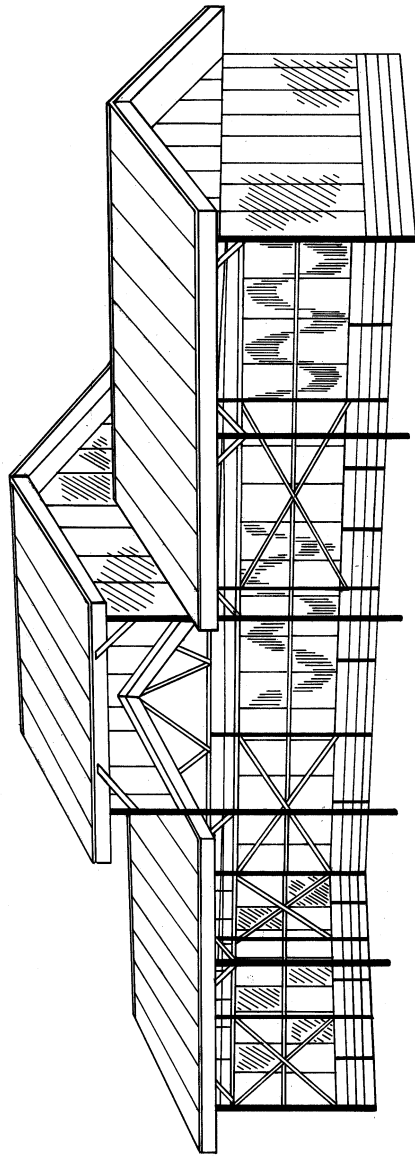


DETAIL A

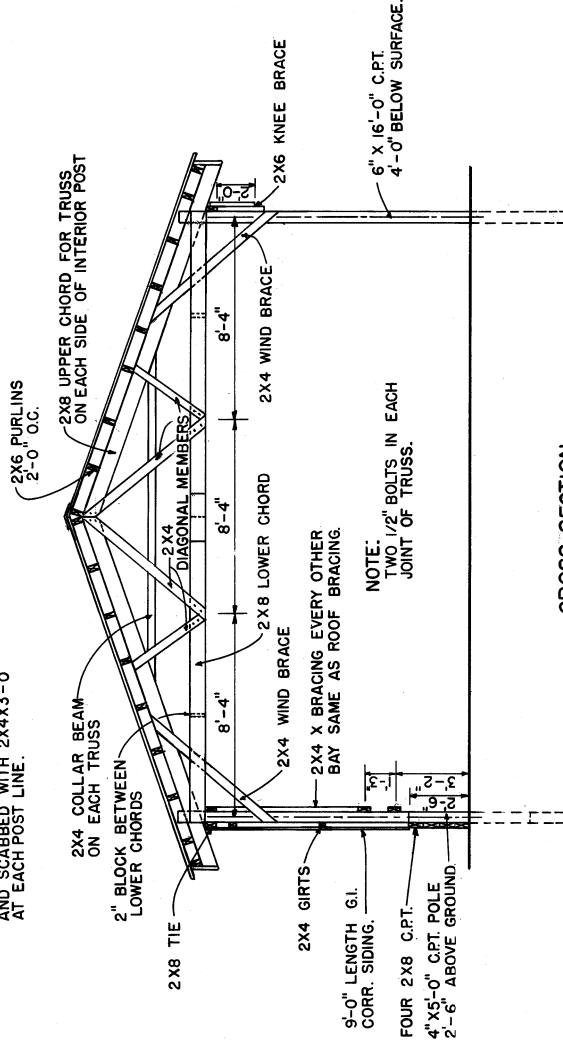


END FRAMING & ELEVATION VIEW



PERSPECTIVE

NOTE:  
PURLINS BUTT JOINTED AND SCABBED WITH 2x4x3'-0" AT EACH POST LINE.

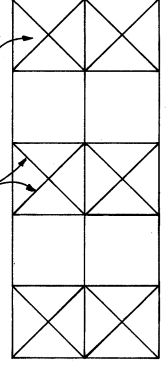


NOTE:  
TWO 1/2" BOLTS IN EACH JOINT OF TRUSS.

CROSS SECTION



1x4 BRACES EVERY OTHER BAY NAILED UNDER PURLINS.



ROOF BRACING SYSTEM  
NOT TO SCALE