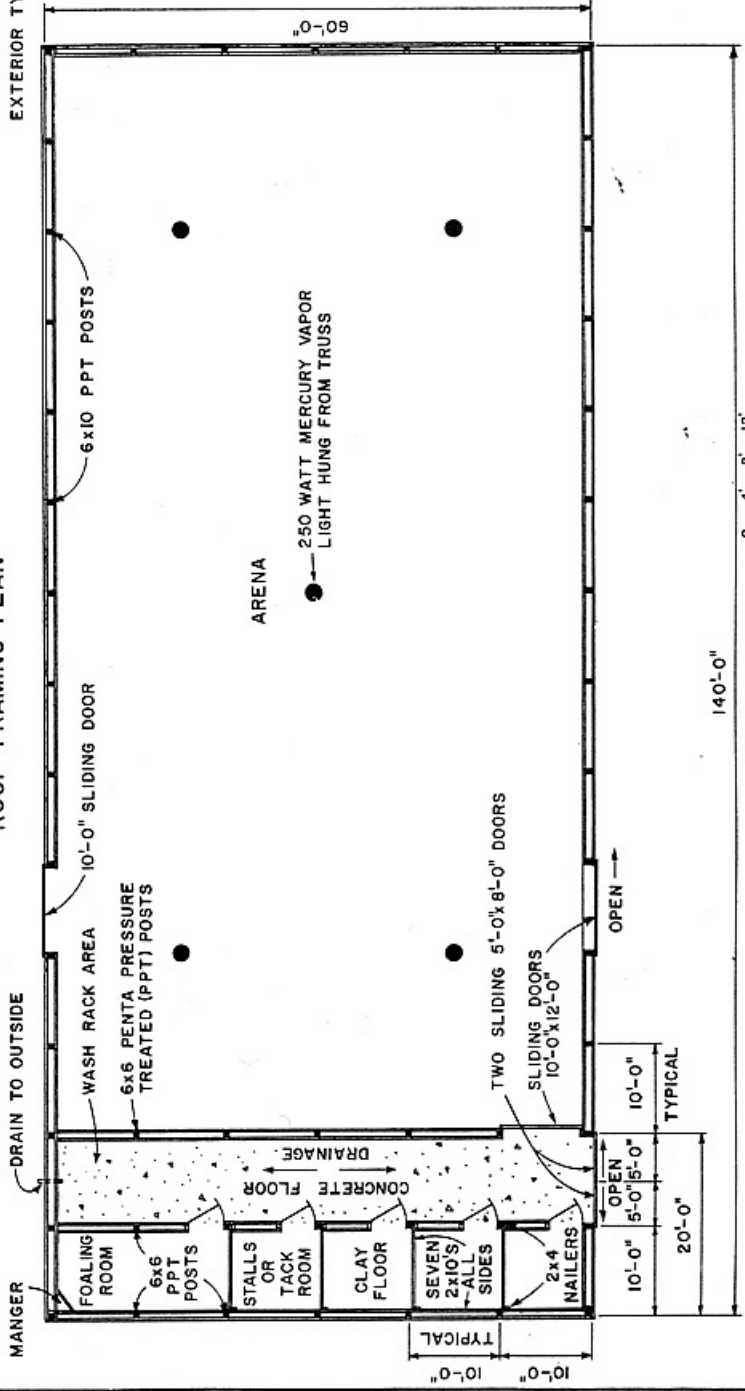
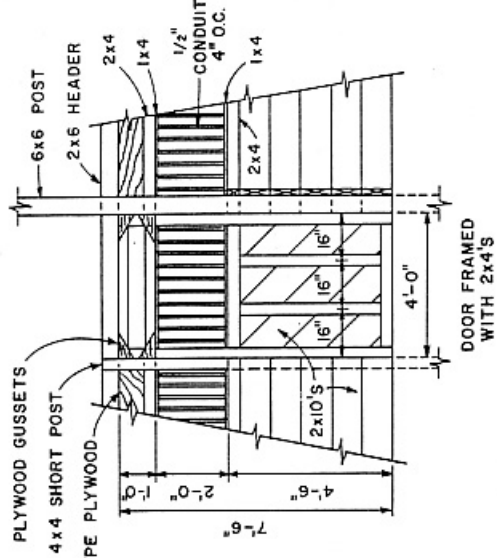
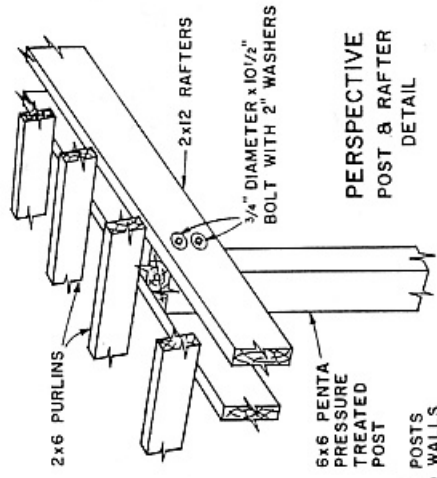


ROOF FRAMING PLAN



FLOOR PLAN

BASED ON: UNIV. OF IDAHO PLAN AE-73-01



STALL DOOR DETAIL

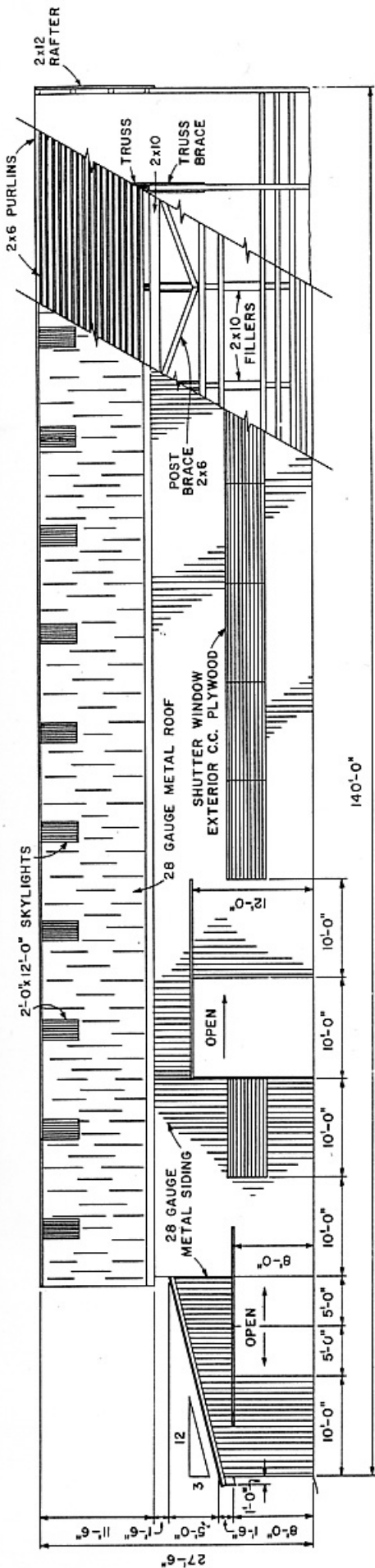


COOPERATIVE EXTENSION WORK IN
 AGRICULTURE AND HOME ECONOMICS
 STATE OF TENNESSEE
 UNIVERSITY OF TENNESSEE
 AGRICULTURAL ENGINEERING DEPARTMENT
 AND
 UNITED STATES DEPARTMENT OF AGRICULTURE COOPERATING

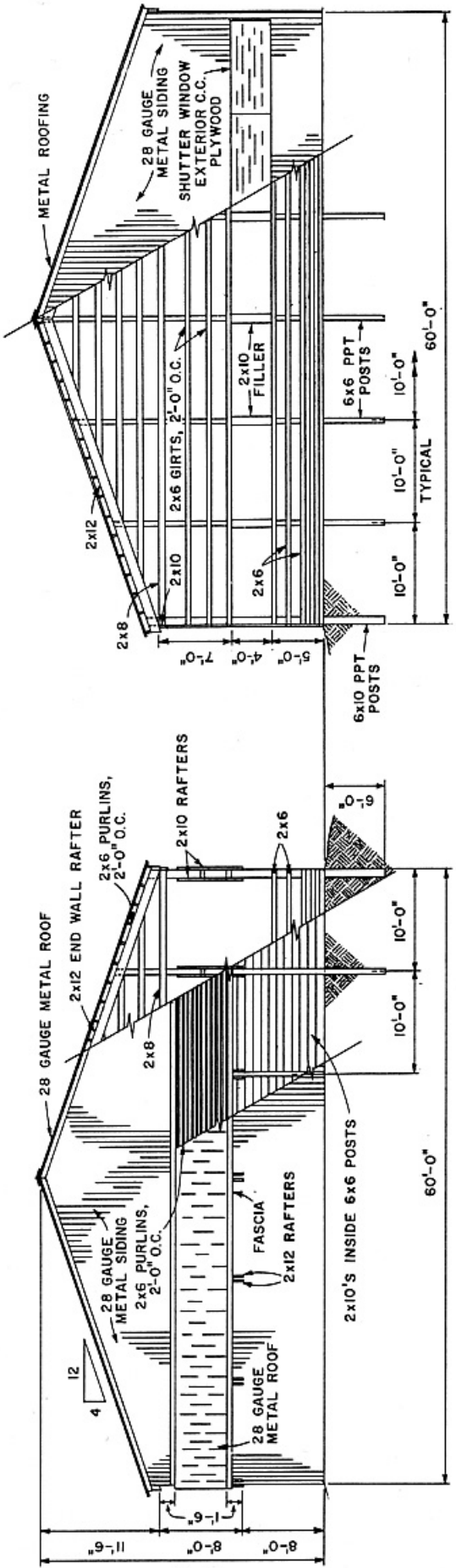
HORSE BARN & ARENA

ID. '73 6171 SHEET 1 OF 3

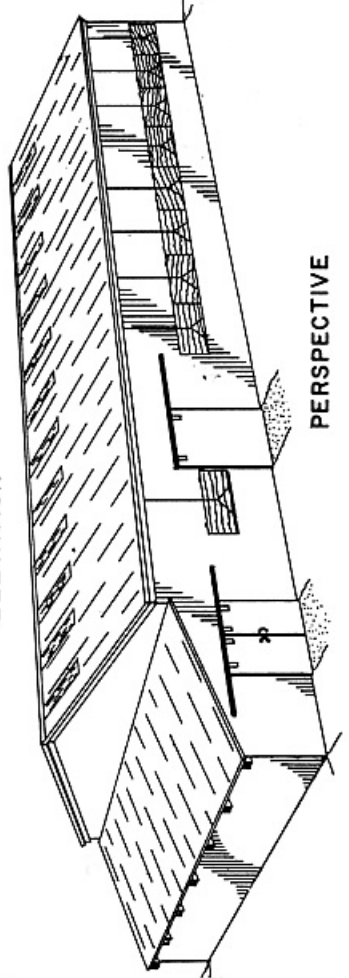
DATE: 1/73



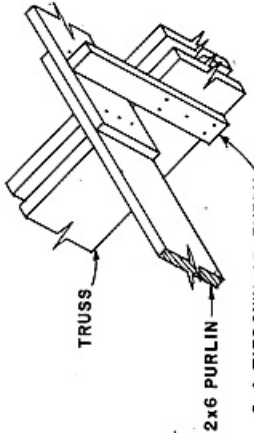
ELEVATION



ELEVATION



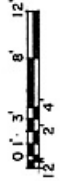
PERSPECTIVE



2x4 TIEDOWN AT EVERY TRUSS PURLIN INTERSECTION

PURLIN LAP & TIEDOWN

--NO--SCALE



COOPERATIVE EXTENSION WORK IN
AGRICULTURE AND HOME ECONOMICS
STATE OF TENNESSEE
UNIVERSITY OF TENNESSEE
AGRICULTURAL ENGINEERING DEPARTMENT
UNITED STATES DEPARTMENT OF AGRICULTURE COOPERATING

HORSE BARN & ARENA

ID. '73 6171 SHEET 2 OF 3

