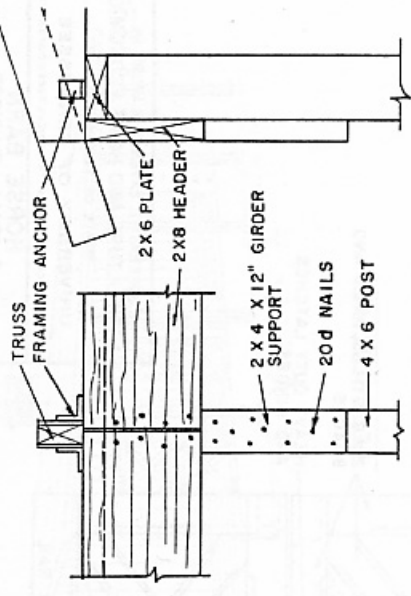
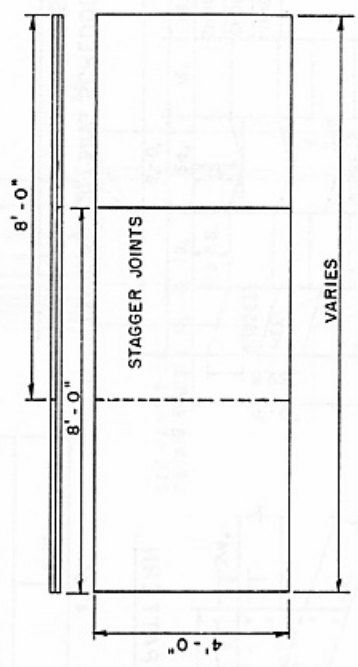


**COVERED WALKWAY**

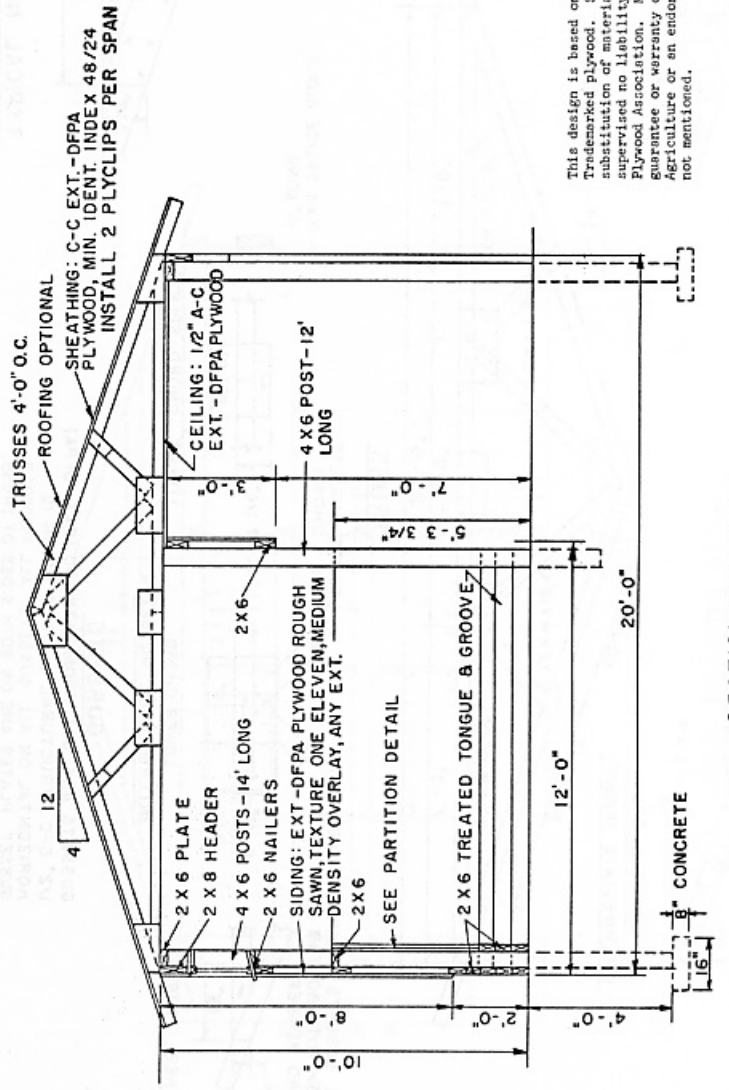
**PLAN**



**GIRDER DETAIL**



**PARTITIONS & INNER WALL LINER**  
 5/8" C-C EXT -DFPA PLYWOOD, FASTEN PANELS TOGETHER WITH PANEL ADHESIVE AND NO. 10 WOOD SCREWS 1" LONG, THREE ROWS SPACED 12" O.C. IN EACH ROW.



**SECTION THRU DOOR**

NOTE:  
 CONSULT LOCAL HEALTH AUTHORITIES BEFORE STARTING CONSTRUCTION TO BE SURE THAT THE PLAN CONFORMS WITH LOCAL CODES AND REGULATIONS

This design is based on the use of American Plywood Association Grade-1 Trademarked Plywood. Structural deficiencies may result with the substitution of other materials. Because erection of the structure cannot be supervised or liability can be assumed by the designer or the American Plywood Association. Mention of a trade name does not constitute a guarantee or warranty of the product by the U.S. Department of Agriculture or an endorsement by the department over other products not mentioned.

COOPERATIVE EXTENSION WORK IN AGRICULTURE AND HOME ECONOMICS  
 STATE OF TENNESSEE  
 UNIVERSITY OF TENNESSEE  
 UNITED STATES DEPARTMENT OF AGRICULTURE COOPERATING

APA '71 6118 SHEET 1 OF 3

HORSE BARN  
 2 STALL PLYWOOD



