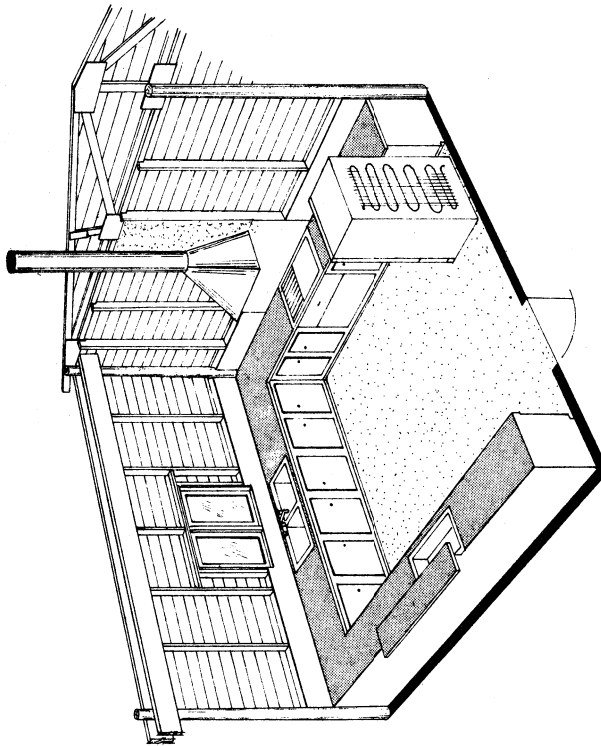


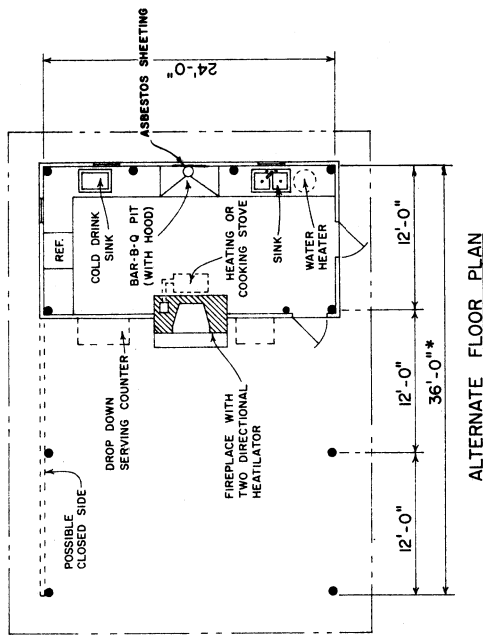
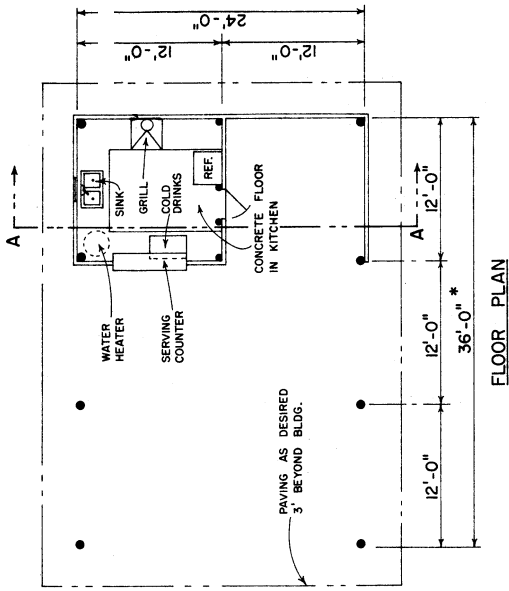
PERSPECTIVE



KITCHEN - CUTAWAY VIEW

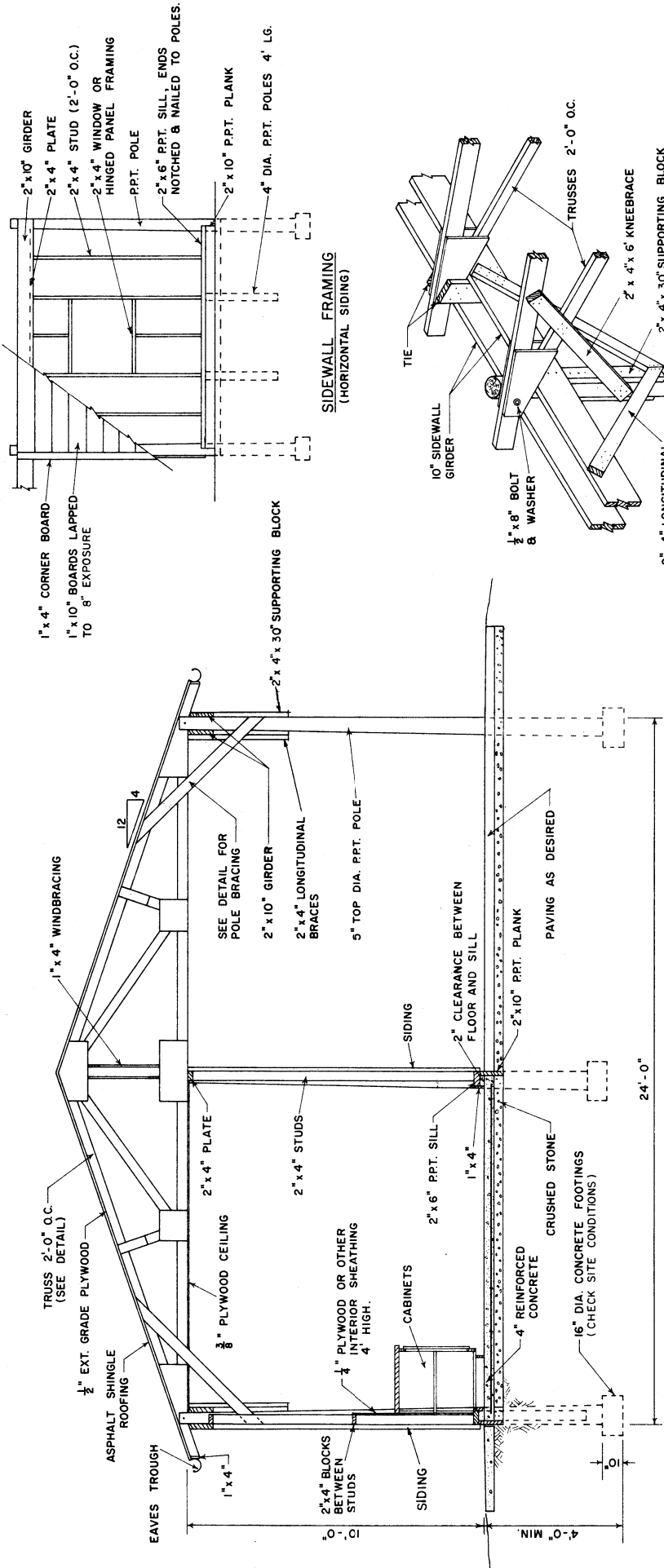
**NOTE:**

1. ALL WOODEN MEMBERS IN CONTACT WITH GROUND SHALL BE PRESERVATIVE PRESSURE TREATED (P.P.T.)
2. SIDEWALL CONSTRUCTION DETAILS FOR HORIZONTAL SIDING ARE SHOWN, FOR VERTICAL SIDING USE TYPICAL POLE BUILDING SIDEWALL CONSTRUCTION.
3. PROVISIONS SHOULD BE MADE FOR SHUTTING OFF WATER AND DRAINING ALL LINES IN PAVILION.

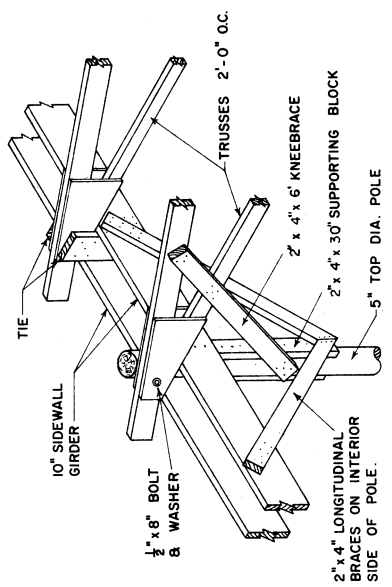


**DESIGNED BY:**  
H. R. DAVIS  
E. W. FOSS  
W. W. IRISH  
CORNELL UNIV. PLAN NO. 830

\* LENGTH OF BLDG. MAY BE EXTENDED IN 12' UNITS.

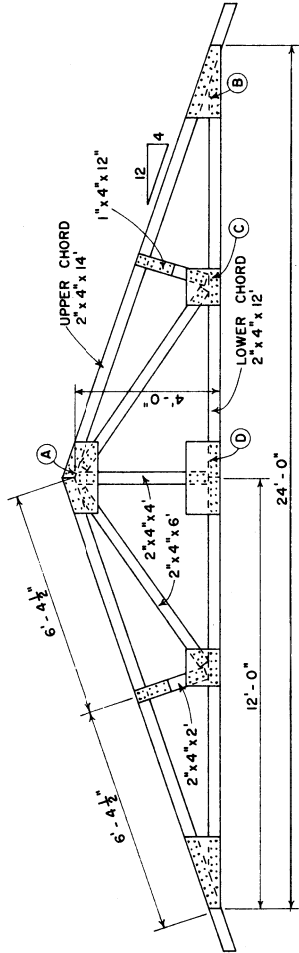


**SIDEWALL FRAMING (HORIZONTAL SIDING)**

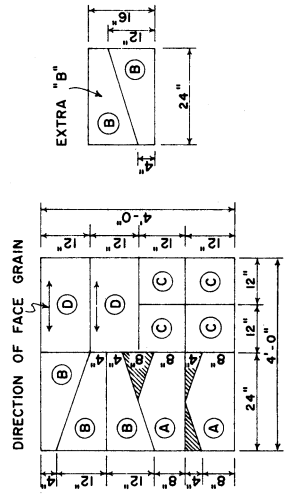


**TRUSS ANCHORAGE & POLE BRACING**

**CROSS SECTION A-A**



**TRUSS DETAIL**



**GUSSET PLATES - CUTTING DIAGRAM**  
3/8" EXTERIOR, DOUGLAS FIR PLYWOOD

- NOTE:**
1. ALL GUSSET PLATES ARE GLUED & NAILED ON BOTH SIDES OF TRUSS. USE RESORCINOL GLUE & 6d BOX NAILS.
  2. TRUSS DESIGNED FOR LOADS OF 30 P.S.F. AT 2'-0" O.C.
  3. ALL LUMBER SHALL BE STRESS GRADED TO PROVIDE 1500 P.S.I. FIBER STRESS IN BENDING & 1330 P.S.I. IN COMPRESSION.