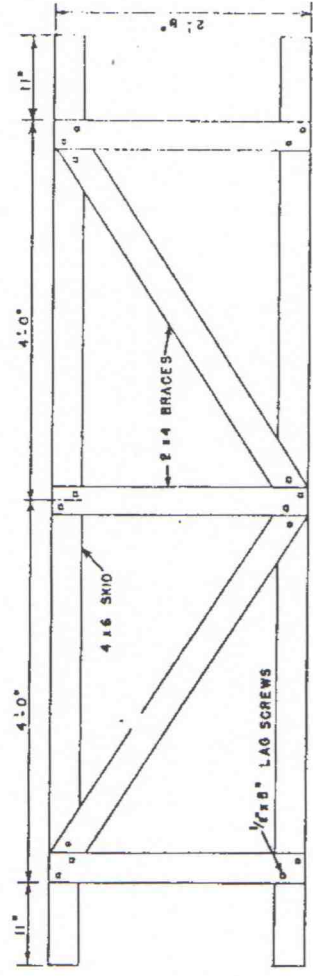
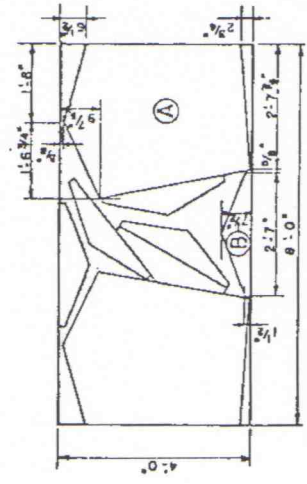


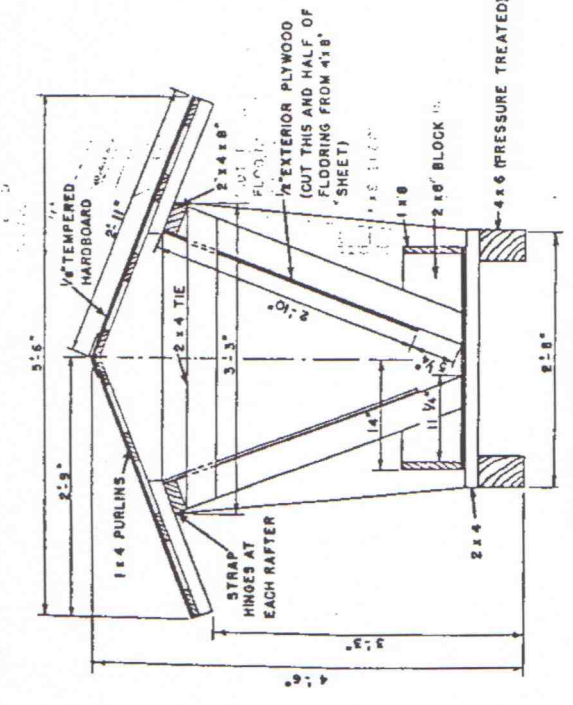
SIDE ELEVATION



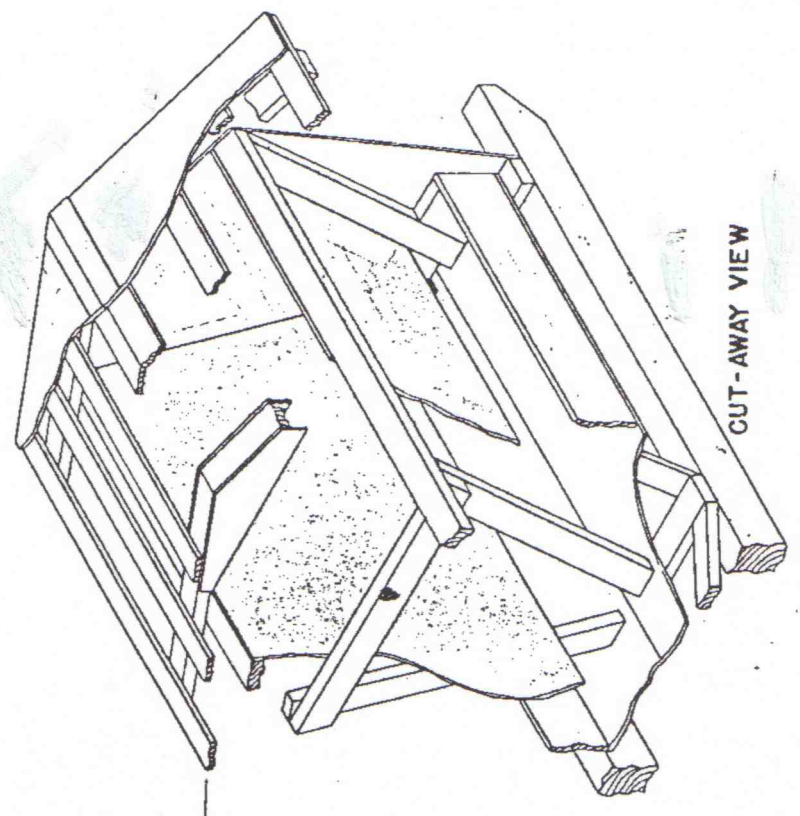
PLAN (SKIDS & BRACING)



CUTTING DIAGRAM FOR PLYWOOD



CROSS SECTION A-A



CUT-AWAY VIEW

NOTE: NON-CORROSIVE FASTENINGS SHOULD BE USED THRU-OUT.

COOPERATIVE EXTENSION WORK IN AGRICULTURE AND HOME ECONOMICS
 STATE OF TENNESSEE
 UNIVERSITY OF TENNESSEE
 AGRICULTURAL ENGINEERING DEPARTMENT
 AND
 UNITED STATES DEPARTMENT OF AGRICULTURE COOPERATING

PORTABLE SELF-FEEDER
 FOR SHEEP
 CAL. '60 EX. 5914 SHEET 1 OF 1

NOTE:
 CUT 1/2\"/>
 ALL WOOD SHOULD BE TREATED WITH A NON-TOXIC PRESERVATIVE.